

Netgear configuration with a Speedtouch

When you have a speedtouch modem you might experience difficulties with configuring the Netgear router

These difficulties might be like:

- not being able to connect to the Netgear router,
- not being able to connect to the internet and at other times not, etc.

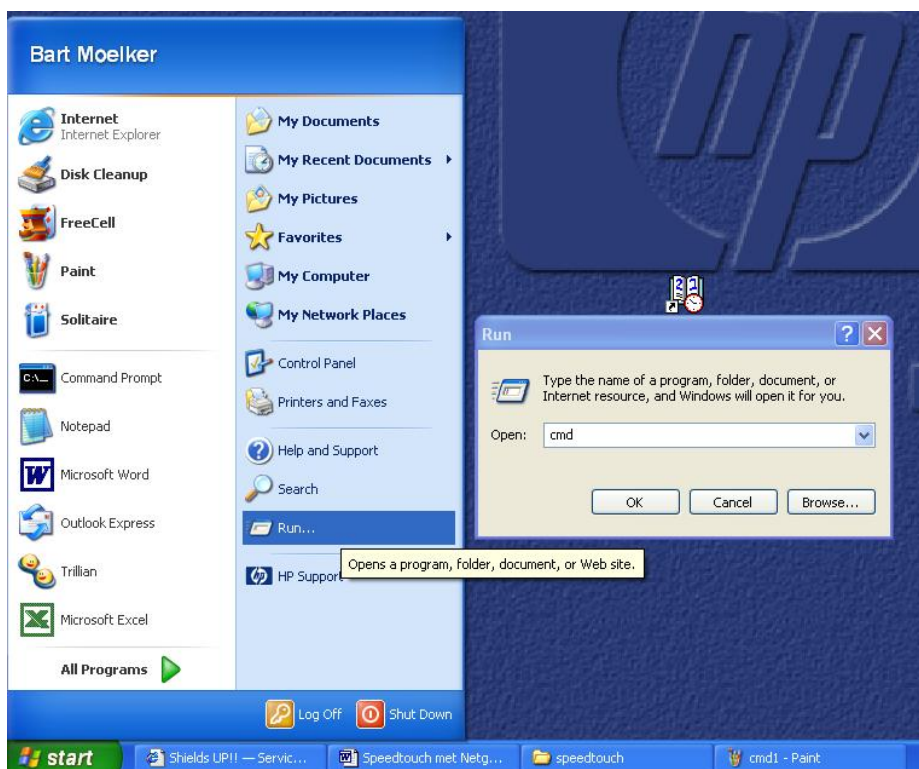
1. Introductie

If you determined it as Speedtouch (510 series and above) the routers inside this modem might be enabled or might be disabled.

Most of the times this is impossible to tell without accessing the menu of the Speedtouch or by trying with the MS-Dos “`ipconfig`” command.

This you will do with::

Start → run



You will give the command “`cmd`” (in windows 98 and windows ME this is “`command`”).

You will get a screen like the one below.

Here you will type the MS-Dos-command “`IPCONFIG`”.



```
C:\WINDOWS\System32\cmd.exe
Microsoft Windows XP [Version 5.1.2600]
(C) Copyright 1985-2001 Microsoft Corp.

H:\>ipconfig

Windows IP Configuration

Ethernet adapter Local Area Connection:

    Connection-specific DNS Suffix  . : corp.idt.net
    IP Address. . . . .               : 10.153.62.9
    Subnet Mask . . . . .             : 255.255.255.0
    Default Gateway . . . . .         : 10.153.62.1

H:\>
```

If you receive an IP-address like 10.0.x.x with a gateway of 10.0.0.138 then you have modem/router and you can use this document.

Is the IP-addressa you get 10.0.0.1 or higher (but lower than 10.0.0.138) you will have to change the router IP-address (see below) to the IP-addressa 10.0.0.10 (marked in blue).

Is the address higher than 10.0.0.140 then you will have to configure the router in paragraph 3 to 10.0.0.155, (marked in red).

After we confirmed the Speedtouch as a router we will only configure the Netgear.
You will have to disconnect the Speedtouch from the PC and connect the Netgear to the PC, using LAN-port 4.

Using the MS-DOS command IPCONFIG we will supply the PC with new IP-Addresses.
First you will enter: IPCONFIG /release (win98 en ME: ipconfig /release_all)
All IP-addresses will be set to 0.0.0.0
Afterwards you will enter the command: IPCONFIG /renew (win98 en ME: ipconfig /renew_all)
You will receive an IP-adres in the range 192.168.1.x or 192.168.0.x



2. Basic Configuration Netgear router

Now we will enter the gateway IP address in Internet Explorer.

This will be like: <http://192.168.1.1/basicsetting.htm> or <http://www.routerlogin.com/basicsetting.htm> for a new (non-configured) router (direct after a reset) or <http://192.168.1.1> or <http://www.routerlogin.com> for an configured router.



You will see a screen with “basic Settings” with the question :
“Does Your Internet Connection Require A Login”. Select →“No”

Basic Settings

Does Your Internet Connection Require A Login?

- Yes
 No

Account Name (If Required)

Domain Name (If Required)

Internet IP Address

- Get Dynamically From ISP
 Use Static IP Address

IP Address

 . . .

IP Subnet Mask

 . . .

Gateway IP Address

 . . .

Domain Name Server (DNS) Address

- Get Automatically From ISP
 Use These DNS Servers

Primary DNS

 . . .

Secondary DNS

 . . .

Router MAC Address

- Use Default Address
 Use Computer MAC Address
 Use This MAC Address

00:0F:B5:13:79:3D



Make sure the following has been entered:

“[Account name](#)” : empty

“[Internet IP address](#): Get Dynamically

“[Domain Name server](#)” “Get automatically from ISP”

“[Router Mac address](#)” leave on “Use default address”

Press “[apply](#)”

You will sometimes get a question for a Login and a password. These are by default: **admin** and **password**

Enter the menu: “[Setup Wireless settings](#)” and select the correct region you are in.

The screenshot shows the 'Wireless Settings' page. It is divided into two main sections: 'Wireless Network' and 'Security Options'.
In the 'Wireless Network' section, there are four fields:

- Name (SSID): A text input field containing 'Mag-u-zelf-bepalen'.
- Region: A dropdown menu currently set to 'Europe'.
- Channel: A dropdown menu currently set to '11'.
- Mode: A dropdown menu currently set to 'g and b'.

In the 'Security Options' section, there are three radio button options:

- Disable
- WEP (Wired Equivalent Privacy)
- WPA-PSK (Wi-Fi Protected Access Pre-Shared Key)

At the bottom of the form, there are two buttons: 'Apply' and 'Cancel'.

[3. Netgear as Accesspoint/Switch](#)

There are some ways to configure the Netgear with a Speedtouch. The most optimal way is to configure the Netgear as an Accesspoint (AP).

This configuration we will make in the menu “[Advanced LAN IP Setup](#)”



LAN IP Setup

LAN TCP/IP Setup

IP Address . . .

IP Subnet Mask . . .

RIP Direction ▾

RIP Version ▾

Use Router as DHCP Server

Starting IP Address . . .

Ending IP Address . . .

Address Reservation

#	IP Address	Device Name	Mac Address

You will have to configure here:

IP-address: **10.0.0.10** (or **10.0.0.155**, see above)

IP Subnet Mask: **255.0.0.0**

RIP Direction en RIP version leave on None and Disabled

Use Router as DHCP server: **Remove the Mark**

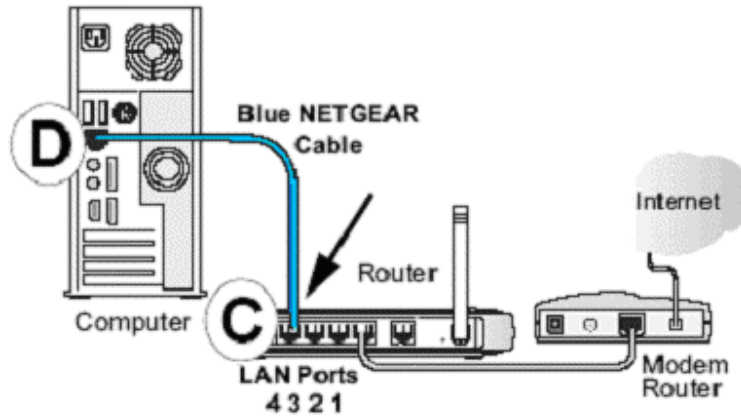
Starting IP Address: **10.0.0.11** (or **10.0.0.156**, see above)

Ending IP Address: **10.0.0.20** (of **10.0.0.170**, see above)

Press "Apply"

You will receive after some time either an "error 404: page not found" or just no response of your browser with a white screen.

Connect the Netgear as described to the Speedtouch (WAN-Speedtouch → one of the 4 LAN-ports on the Netgear: see below)



Switch off all devices involved and restart all (first Speedtouch, then the Netgear and only then the PC). If all configured correctly you will have internet by now.

Note !!: Your IP-address for maintenance for the Netgear has changed to **10.0.0.10** (or **10.0.0.155**). A router reset by pressing the resetbutton however will undo all the previous settings and set the router IP-address back to factory default.